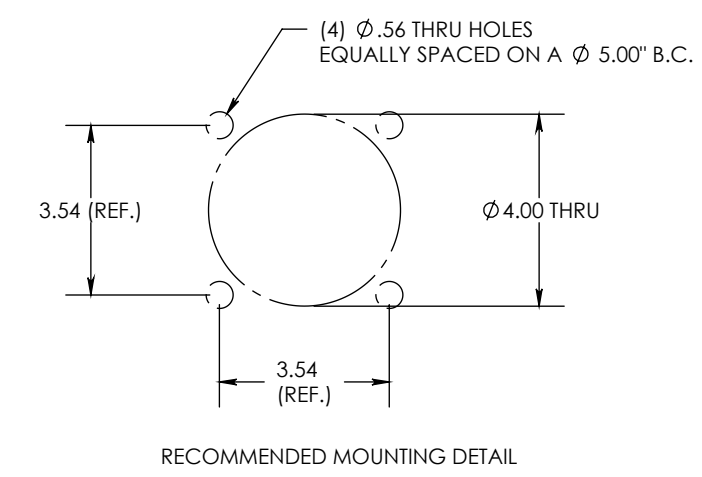
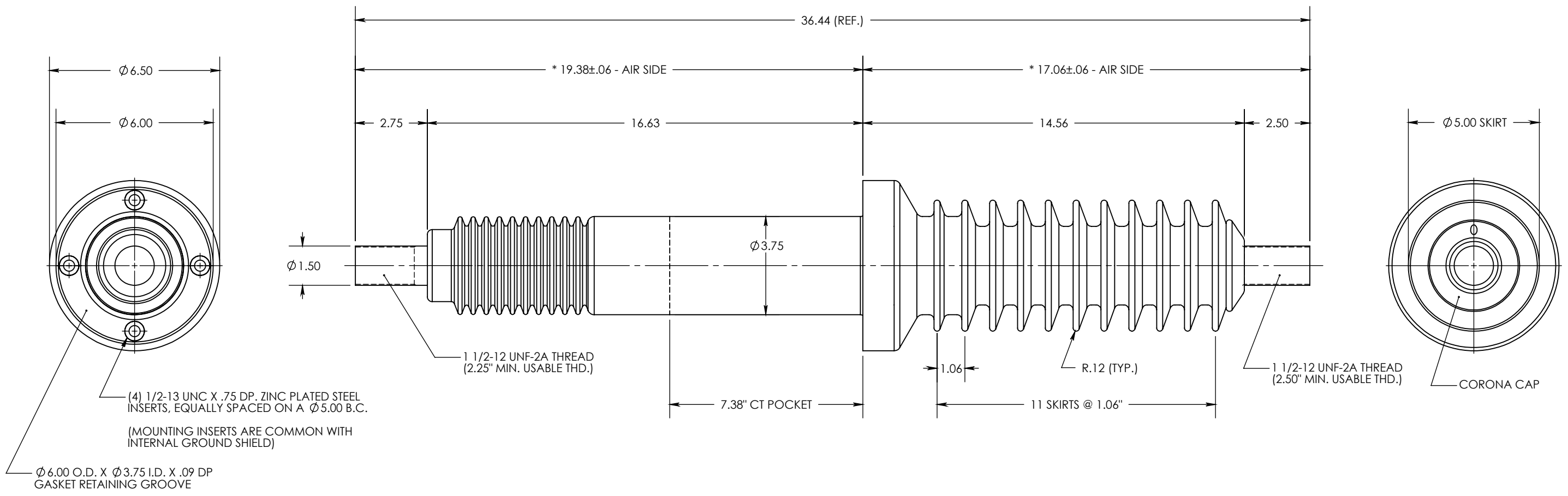


REVISIONS					
NO	DATE	ECN#	REMARKS	BY	APPD.
1	7-17-2002		CHANGED SPECIFICATIONS SECTION; ADDED DUAL VOLTAGE RATING	DB	RM



- NOTES:**
 1. ALL CONTACT SURFACES TO BE CLEAN & FREE FROM FLASH
- MATERIAL:**
 1. E07 - CYCLOALIPHATIC EPOXY (U.V. EXPOSED), COLOR: GREY
 2. HD ETP COPPER, C11000, TIN PLATED
 3. ANODIZED ALUMINUM NAMEPLATE
- SPECIFICATIONS:**
 1. MANUFACTURED IN ACCORDANCE WITH IEC 137-1995, CAN/CSA-C88.1-96, IEEE C57.19.01-1991
 2. RATED VOLTAGE 25kV/38kV
 3. POWER FREQUENCY WITHSTAND 60kV/80kV
 4. BASIC IMPULSE LEVEL 150kV/170kV
 5. NOMINAL CURRENT RATING 1200 AMPS
 6. CREEP DISTANCE 33"/838 mm (24 mm/kV)
 7. TEMPERATURE CLASSIFICATION -50°C TO +105°C
 8. APPROXIMATE WEIGHT 43 LBS

PROPRIETARY AND CONFIDENTIAL
 THE INFORMATION CONTAINED IN THIS DRAWING IS THE SOLE PROPERTY OF H-J INTERNATIONAL, INC. ANY REPRODUCTION IN PART OR AS A WHOLE WITHOUT THE WRITTEN PERMISSION OF H-J INTERNATIONAL, INC. IS STRICTLY PROHIBITED.

BREAK ALL SHARPS UNLESS OTHERWISE NOTED

TOLERANCES (EXCEPT AS NOTED)

ONE PLACE MM	±1.50
TWO PLACE MM	±0.75
TWO PLACE DEC.	±.060
THREE PLACE DEC.	±.030
FRACTIONS	± 1/16"
ANGLES	2°



APPROVED BY	DB	DATE	12-3-01
CHECKED BY	RM	DATE	12-3-01
DRAWN BY	DB	DATE	12-3-01
TOOL NO.	T20-450-0		
PRODUCT GRP.	2000 SERIES		

H-J INTERNATIONAL, INC.
 3010 HIGH RIDGE BLVD, HIGH RIDGE, MO. 63049 USA
 PHONE 1-636-677-3421 FAX 1-636-376-1915

POWER APPARATUS BUSHING
25kV/38kV - 1200A

DRAWING NO. **20-450-000**

SCALE **1:4** SIZE **B** REV. **1** SHEET **1** OF **1**